

Titanium Hexagon Locking Nuts With Nylon Insert

Baoji Xinlian Titanium Industry Co.,Ltd is one of the leading China titanium locking nuts manufacturers and suppliers, and also a professional company equipped with factory, welcome to wholesale titanium locking nuts from us.

Titanium Locking Nuts

Titanium Hexagon Locking Nuts

Titanium Hexagon Nylon Locking Nuts

Titanium Hex Nuts With Nylon Insert

Titanium Prevailing Torque Type Hexagon Nuts With Non-metallic Insert

Titanium Prevailing Torque Type Hexagon Nuts With Nylon Insert

Standard: DIN EN ISO10511, DIN985

Material: Pure titanium, Titanium alloy

Grade: Gr1, Gr2, Gr5(Ti6al4v), Gr7, Gr9

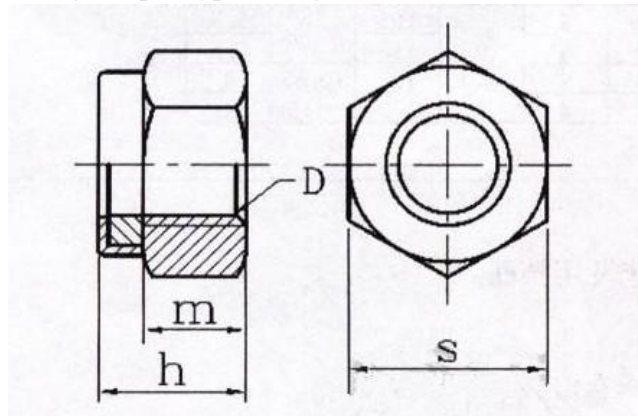
Specification: M3-M30

Surface Treatment: Polishing, Anodizing, Nitriding

Color: Ti nature, Gold, Blue, Green, Purple, Black, Rainbow

**DIN985**

**Prevailing Torque Type Hexagon Thin Nuts With Nylon Insert**



Unit : mm

D	P	h		m	s	
		max	min	min	max	min
M3	0.5	4	3.7	2.4	5.5	5.32
M4	0.7	5	4.7	2.9	7	6.78
M5	0.8	5	4.7	3.2	8	7.78
M6	1	6	5.7	4	10	9.78
M7	1	7.5	7.14	4.7	11	10.73
M8	1/1.25	8	7.64	5.5	13	12.73
M10	1/1.25/1.5	10	9.64	6.5	17	16.73

<b>M12</b>	<b>1.25/1.5/1.75</b>	<b>12</b>	<b>11.57</b>	<b>8</b>	<b>19</b>	<b>18.67</b>
<b>M14</b>	<b>1.5/2</b>	<b>14</b>	<b>13.3</b>	<b>9.5</b>	<b>22</b>	<b>21.67</b>
<b>M16</b>	<b>1.5/2</b>	<b>16</b>	<b>15.3</b>	<b>10.5</b>	<b>24</b>	<b>23.67</b>
<b>M18</b>	<b>1.5/2/2.5</b>	<b>18.5</b>	<b>17.66</b>	<b>13</b>	<b>27</b>	<b>26.16</b>
<b>M20</b>	<b>1.5/2/2.5</b>	<b>20</b>	<b>18.7</b>	<b>14</b>	<b>30</b>	<b>29.16</b>